

# TILTROTATOR

## ATTACHMENTS



**COTECH**

**EQUIPMENT  
MANUFACTURER**

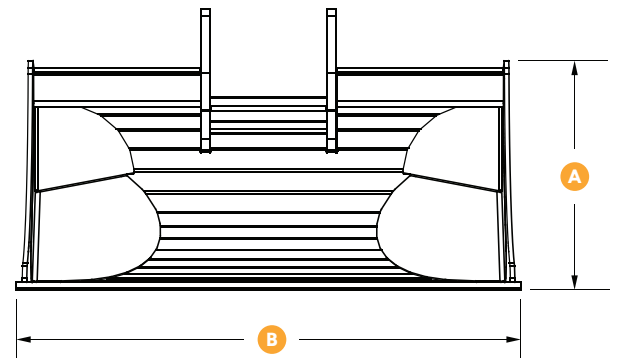


# DITCHING BUCKETS



Entirely made of Hardox® 450 steel. Lighter and more durable than commercial steel.  
Optimized bucket curvature with inverted ears. Easier to switch between attachments.

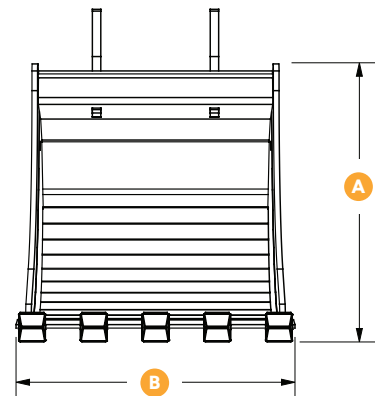
DITCHING BUCKETS - EGFTR					
Models	Height <b>A</b>	Width <b>B</b>	Weight	Capacity	Excavator Weight
EGF3TR-1942	19"	42"	261 lbs	0.26 yd <sup>3</sup>	5 to 7 tons
EGF4TR-2254	22"	54"	456 lbs	0.48 yd <sup>3</sup>	7 to 10 tons



# TRENCHING BUCKETS

Entirely made of Hardox® 450 steel. Stronger and more durable than regular steel.  
Specifically designed for tiltrotator applications. Delivers greater precision and a superior finish.

TRENCHING BUCKETS - EGTR					
Models	Height <b>A</b>	Width <b>B</b>	Weight	Capacity	Excavator Weight
EGT3TR-2418	24"	18"	232 lbs	0.18 yd <sup>3</sup>	5 to 7 tons
EGT3TR-2424	24"	24"	278 lbs	0.22 yd <sup>3</sup>	5 to 7 tons
EGT4TR-2624	26"	24"	401 lbs	0.26 yd <sup>3</sup>	7 to 10 tons
EGT4TR-2630	26"	30"	472 lbs	0.34 yd <sup>3</sup>	7 to 10 tons



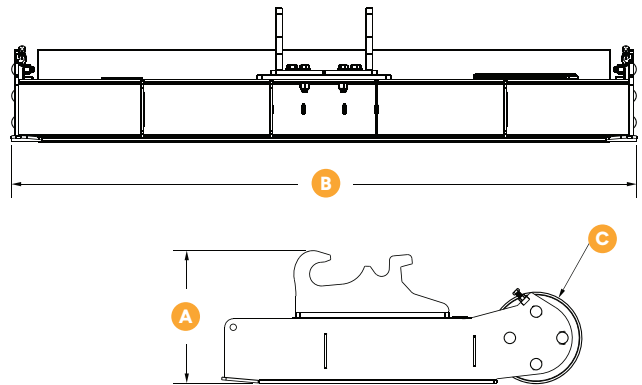
# GRADING BEAMS

Faster, more efficient grading without the need to reposition the excavator.

Designed for leveling dirt, gravel, soil and other materials into a smooth, even surface.

The adjustable roller height allows operators to set the desired level for each task.

GRADING BEAMS - EGBTR					
Models	Height <b>A</b>	Width <b>B</b>	Roller Diameter <b>C</b>	Weight	Excavator Weight
EGB3TR-72	16"	73"	11"	763 lbs	5 to 7 tons
EGB4TR-72	17"	73"	11"	780 lbs	7 to 10 tons

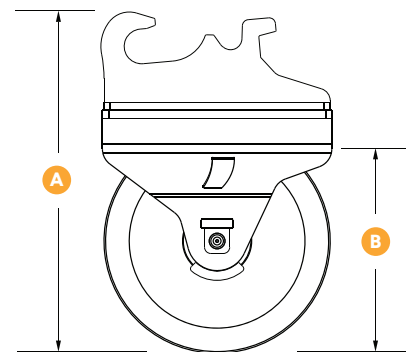


# ASPHALT CUTTERS

Fully made of Hardox® 450 steel, delivering superior resistance and durability under high pressure.

Enhances jobsite precision and safety by isolating the repair area while protecting surrounding structures and obstacles.

ASPHALT CUTTERS - ECA				
Models	Height <b>A</b>	Cutter Diameter <b>B</b>	Weight	Excavator Weight
ECA3	27"	18"	228 lbs	5 to 7 tons
ECA4	29"	18"	245 lbs	7 to 10 tons



# GRAPPLES

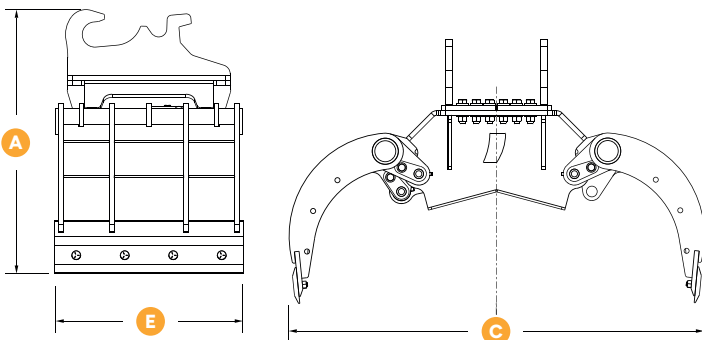
Three grapple models are available to match a wide range of applications, from heavy demolition to precise material handling:

- Construction grapples for demolition and heavy material handling.
- Multi-purpose grapples for handling logs, rocks and other bulky materials.
- Finger grapples for picking and placing smaller or more delicate items.

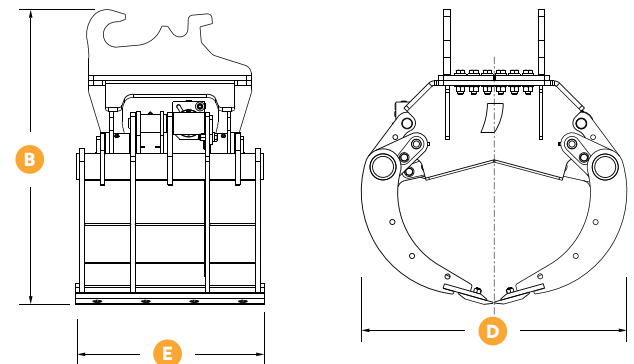


	CONSTRUCTION GRAPPLES		MULTI-PURPOSE GRAPPLES		FINGER GRAPPLES	
Models	EGMD3-44	EGMD4-56	EGMB3-56	EGMB4-60	EGMF3-56	EGMF4-60
<b>A</b> Height Open	29"	35"	37"	42"	36"	40"
<b>B</b> Height Closed	33"	39"	30"	33"	30"	33"
<b>C</b> Width Open	46"	57"	60"	64"	60"	64"
<b>D</b> Width Closed	29"	35"	31"	34"	31"	34"
<b>E</b> Width	21"	26"	18"	22"	18"	22"
Weight	453 lbs	692 lbs	474 lbs	737 lbs	485 lbs	769 lbs
Max Hyd. Pressure	3000 psi	3000 psi	3000 psi	3000 psi	3000 psi	3000 psi
Excavator Weight	5 to 7 tons	7 to 10 tons	5 to 7 tons	7 to 10 tons	5 to 7 tons	7 to 10 tons

## OPEN



## CLOSED





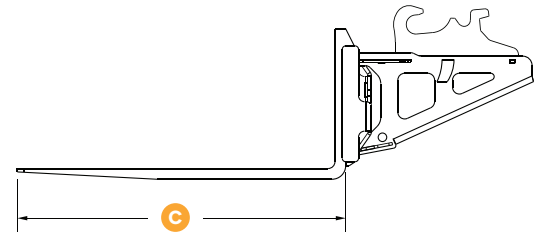
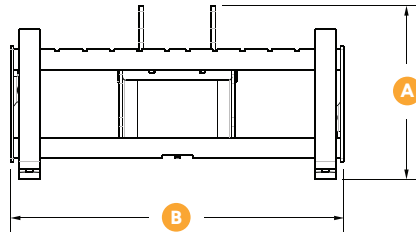
# PALLET FORKS



Fork lifting capacity rated at 4,000 lbs.

The fork spacing is manually adjustable, with support hooks ensuring secure positioning for enhanced safety.

PALLET FORKS - EFP					
Models	Height <b>A</b>	Width <b>B</b>	Fork Length <b>C</b>	Weight	Excavator Weight
EFP3-484048	25"	48"	48"	524 lbs	5 to 7 tons
EFP4-484048	25"	48"	48"	541 lbs	7 to 10 tons

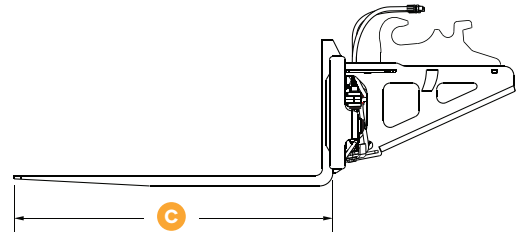
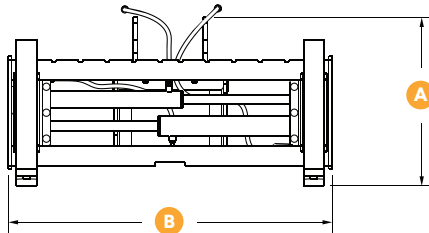


# HYDRAULIC PALLET FORKS

Fork lifting capacity rated at 4,000 lbs.

Hydraulically adjustable fork spacing, increasing versatility by eliminating the need to leave the cab.

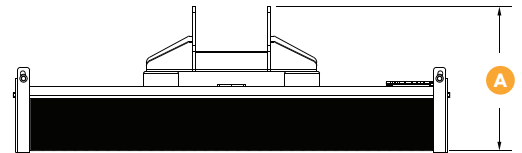
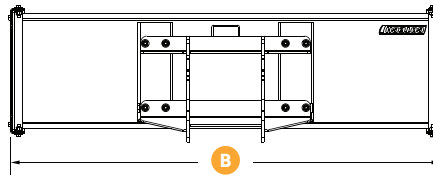
HYDRAULIC PALLET FORKS - EFPH					
Models	Height <b>A</b>	Width <b>B</b>	Fork Length <b>C</b>	Weight	Excavator Weight
EFPH3-484048	25"	48"	48"	759 lbs	5 to 7 tons
EFPH4-484048	25"	48"	48"	776 lbs	7 to 10 tons



# BROOMS

Designed to clean a wide variety of materials, including sand, rocks, snow and mud. The brushes are made of ultra-durable nylon to sweep all surfaces. Deliver a clean, professional result on every job site.

BROOMS - EBB				
Models	Height <b>A</b>	Width <b>B</b>	Weight	Excavator Weight
EBB3-60	23"	62"	517 lbs	5 to 7 tons
EBB4-72	25"	74"	607 lbs	7 to 10 tons





**PUSHING  
LIMITS**



**COTECH**



📍 89, Villeray Street, L'Isle-Verte

☎ 1 877 898-4440

🖱 [www.cotech.ca](http://www.cotech.ca)

**EQUIPMENT  
MANUFACTURER**

•  
**SNOW REMOVAL**

••  
**EXCAVATION**

•••  
**AGRICULTURAL**